



BLONDES GARAGE



BLONDES GARAGE

Collaborating and bringing like-minded people together is the philosophy behind Blondes Garage, a wildly eclectic and versatile events and creative space with plenty of functionality.

Perfectly positioned on Chapel Street in vibrant Windsor, Blondes Garage is a multi-disciplinary studio space available for hire for photography and film shoots, corporate and private events, workshops, pop-up shops and anything in between.

Not just a studio, Blondes Garage is a blank canvas where your imagination is the limit. Step into the large open plan space with its crisp white walls and large north-facing windows with abundant natural light, high ceilings and white concrete floors and let the creativity flow. It's the perfect canvas to bring your project to life.

Our casa es su casa! So whether you want to create, celebrate, facilitate, or simply indulge, relax, wine and dine, Blondes Garage can cater to your every need.





BLONDES GARAGE

- FACILITIES (In Venue)
- 1 unisex toilet
 - Fully air-conditioned/ heated space
 - Floorplan attached
 - Bluetooth sound system
 - Fridge facilities
-

- KITCHEN AREA (Open kitchen)
- 5 Burner Gas range
 - Exhaust fan
 - 1 x 2 tray fan oven 900mm wide
 - dishwasher
 - Washing up sink with gas hot water
 - 2.5m x 1m of Bench Space
 - Basic equipment ie. cutting boards, oven trays
-

- FACILITIES (External)
- 2 loading zones outside entrance
 - 1 and 2 hour parking spots and a few all day around.
 - All day pay and display carpark next to the studio (\$1.60 p/hr or \$6.90 for 12 hrs)
 - Windsor train station opposite





BLONDES GARAGE

HIRE RATES
(+GST)
(inclusive of bump in/
out)

| | |
|-----------------------------------|-------|
| STUDIO 1 HALF DAY (Up to 4hrs) | \$385 |
|-----------------------------------|-------|

| | |
|---------------------------------|-------|
| STUDIO 1 FULL DAY (4 - 8hrs) | \$660 |
|---------------------------------|-------|

| | |
|----------|------------|
| OVERTIME | \$175 p/hr |
|----------|------------|

| | |
|--------------|-----------------------------------|
| STUDIO 1 & 2 | \$715 Half Day \$1155 Full Day |
|--------------|-----------------------------------|

| | |
|-----------------------------|-----|
| Weekend/ Holiday Loading | 10% |
|-----------------------------|-----|

(Please note Studio 2 cannot be
hired alone)

STUDIO USAGE 8am - 6.30pm

For half day bookings there is a morning allocation and an
afternoon allocation.

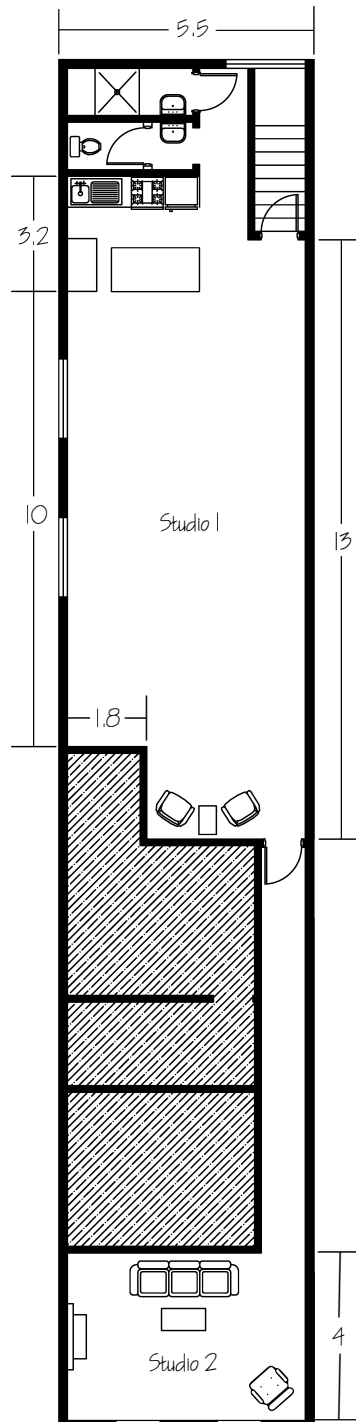
Morning arrival between 8.00am & 9.00am
Afternoon arrival between 1pm & 1.30pm





BLONDES GARAGE

FLOOR
PLAN

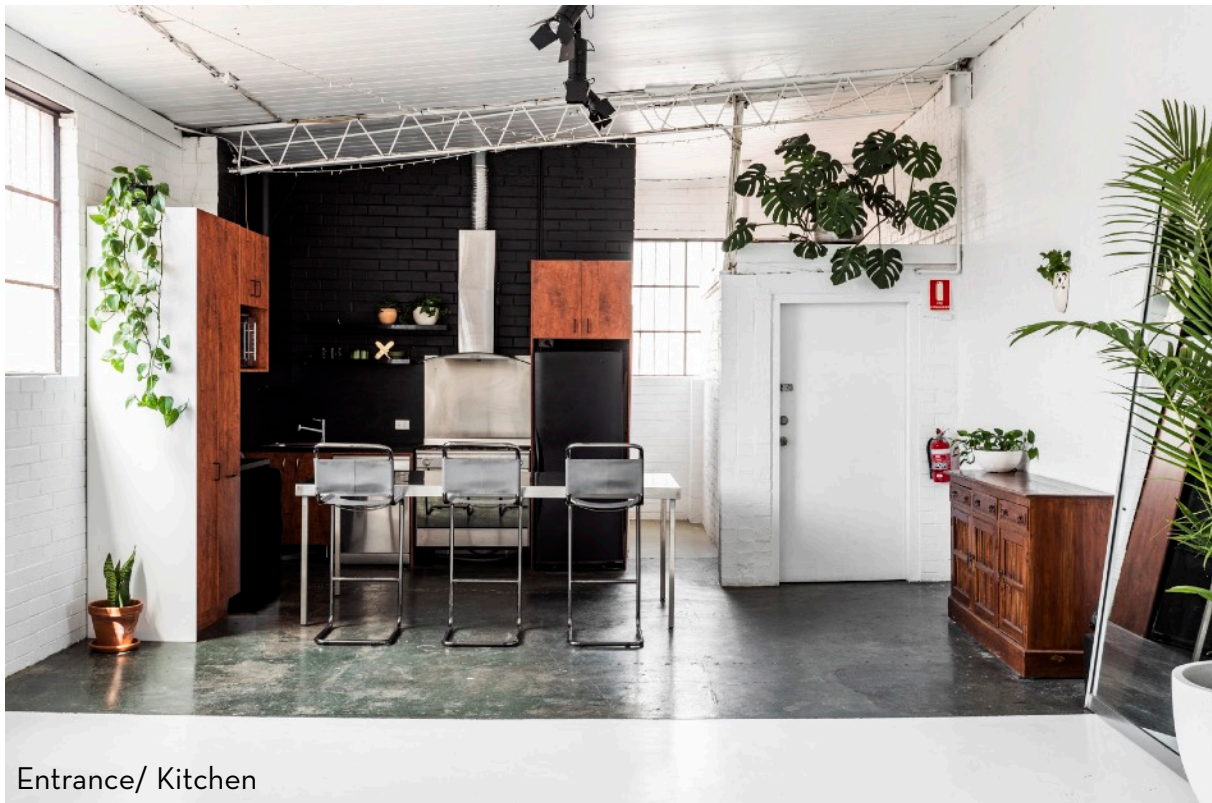




BLONDES GARAGE



Studio 1



Entrance/ Kitchen



BLONDES GARAGE





BLONDES GARAGE

CONTACT BLONDES GARAGE/ Photographic Studio

Lvl 1/62 Chapel St
Windsor, VIC 3181
(Entrance on McIlwrick Street)

Phone: 0455 023 748
Email: info@blondesgarage.com
Website: www.blondesgarage.com

